

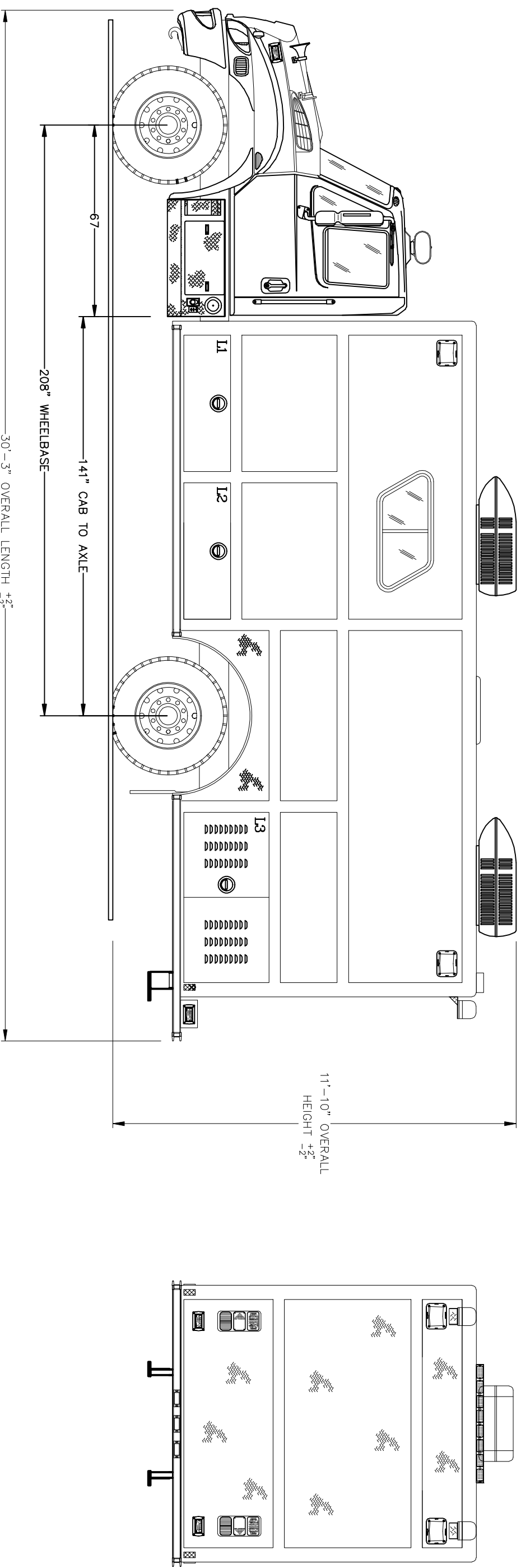
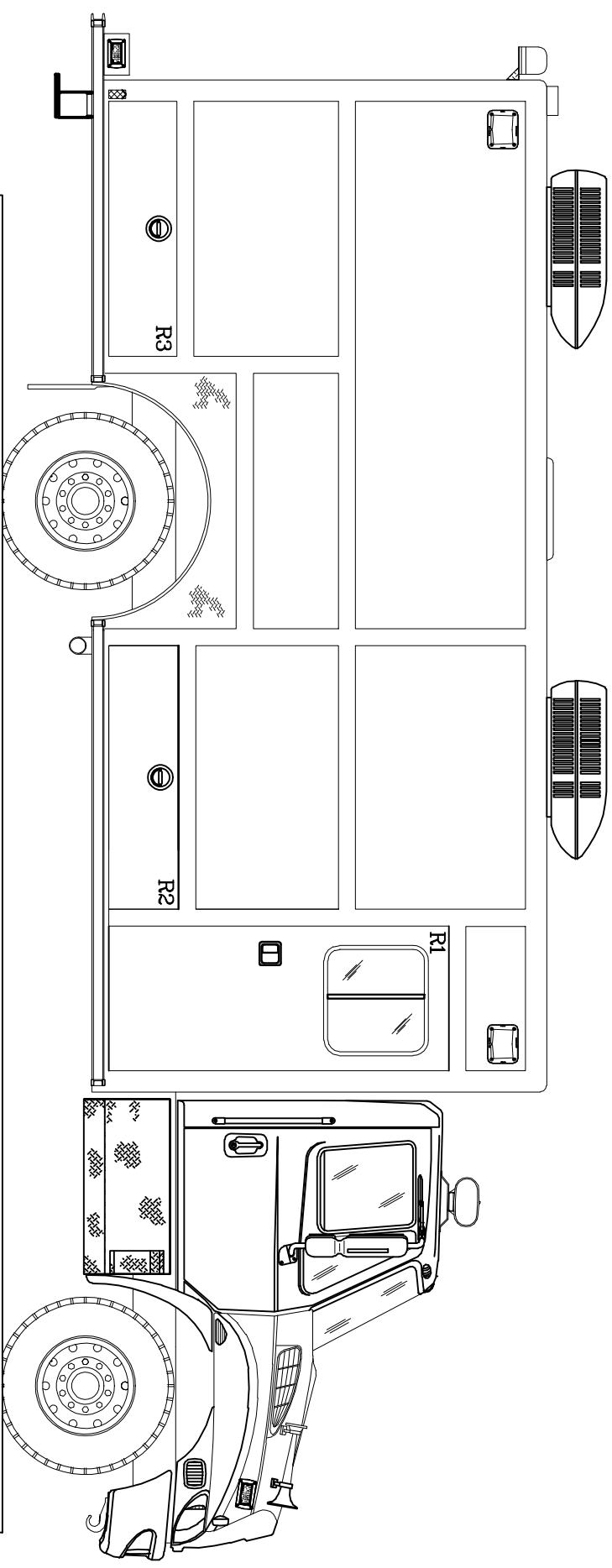


COMMAND CENTER

20' COMMAND CENTER IH 4400 CHASSIS

COMP.	OPENING	INTERIOR DIMENSION
L1/L2	48W 16H	48W 16H 26D
L3	60W 30H	60W 30H 26D
R1	34W 80H	ENTRY DOOR
R2	62W 16H	62W 16H 26D
R3	60W 16H	60W 16H 26D

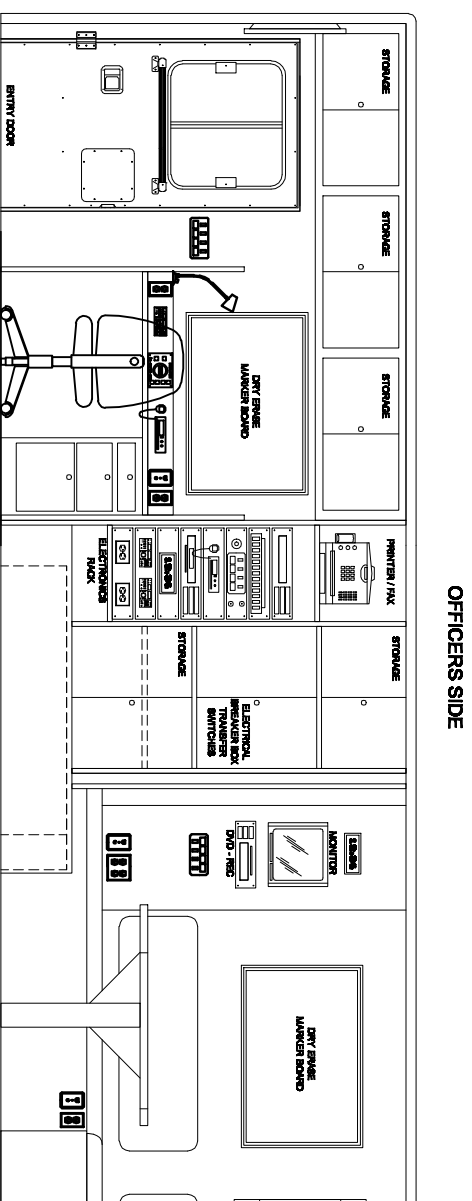
THIS DRAWING IS FOR REFERENCE PURPOSES. ALL DIMENSIONS ARE SUBJECT TO MINOR VARIATIONS DUE TO MANUFACTURING PROCESSES.



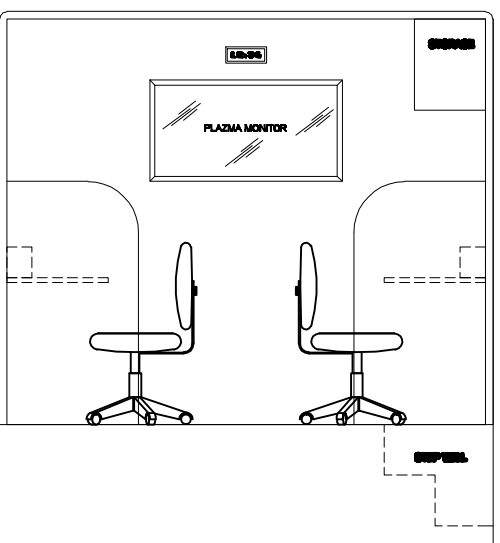


COMMAND CENTER

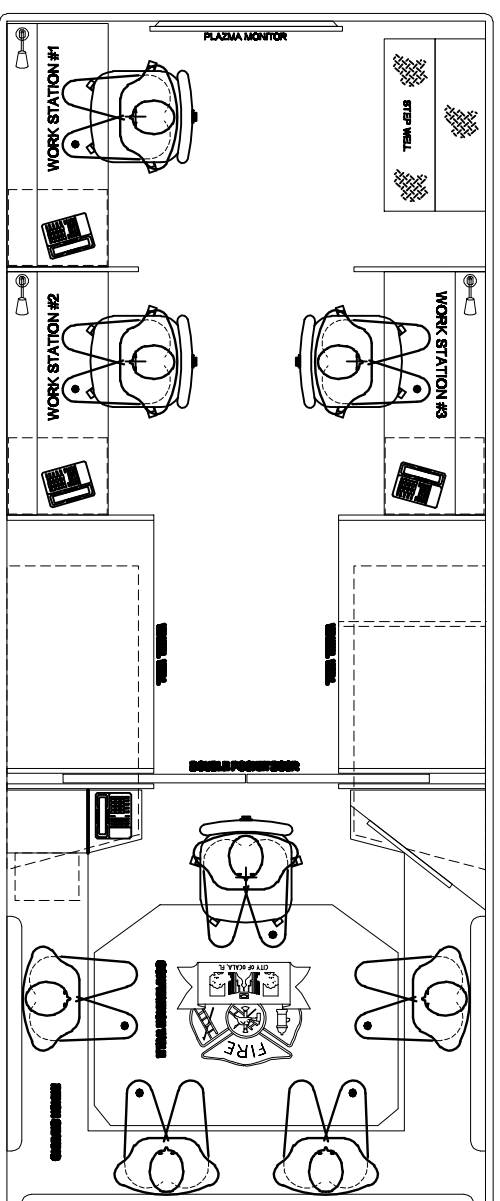
20' COMMAND CENTER
IH 4400 CHASSIS



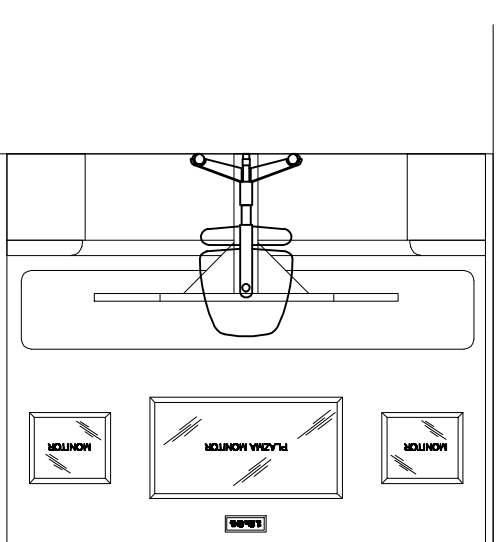
OFFICERS SIDE



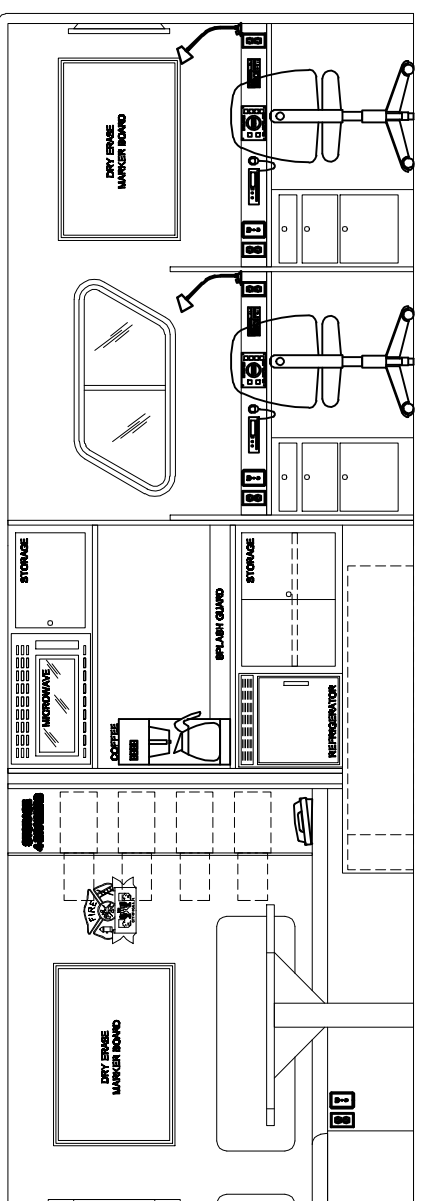
FRONT WALL



PLAN VIEW



REAR WALL (CONF ROOM)



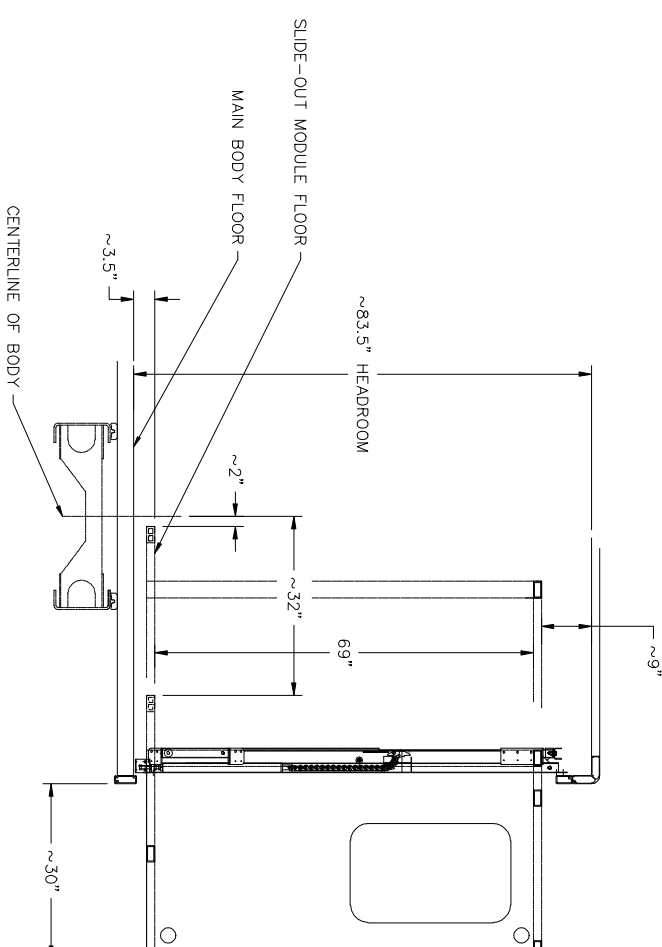
DRIVERS SIDE



COMMAND CENTER

AMR318.SPARTAN ER
SPARTAN ER TILT CAB CHASSIS

ALL DIMENSIONS ARE APPROXIMATE !!!



BODY CUT-A-WAY VIEW

