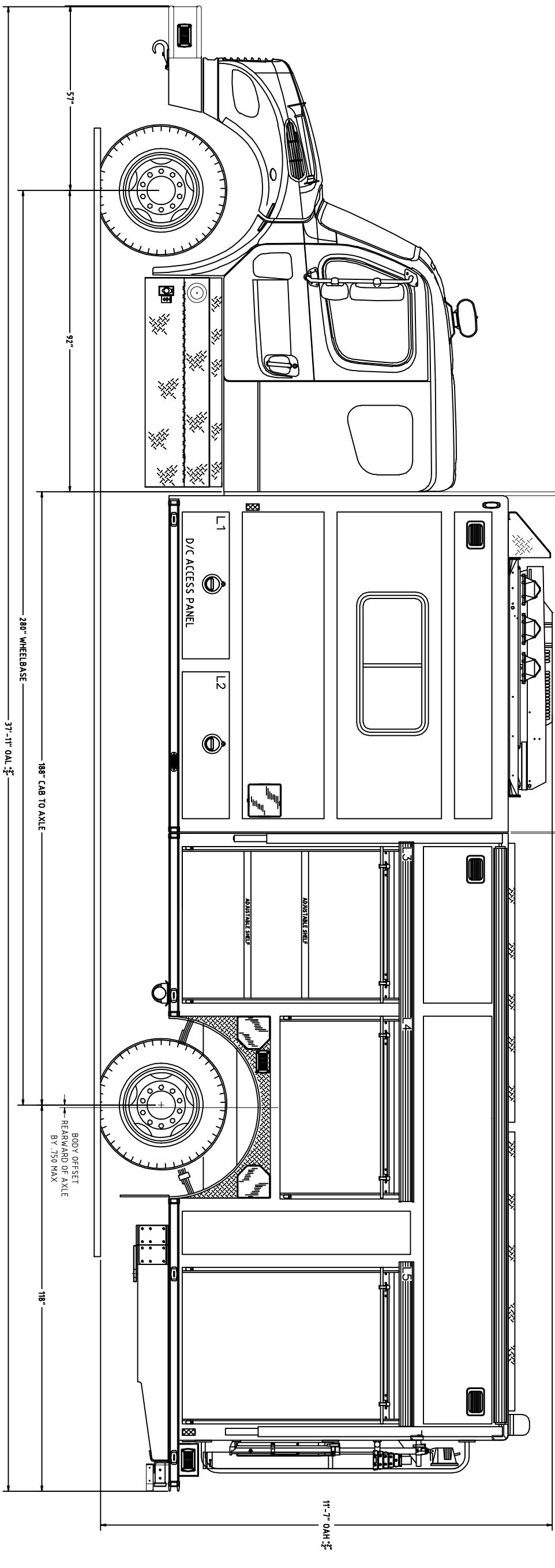
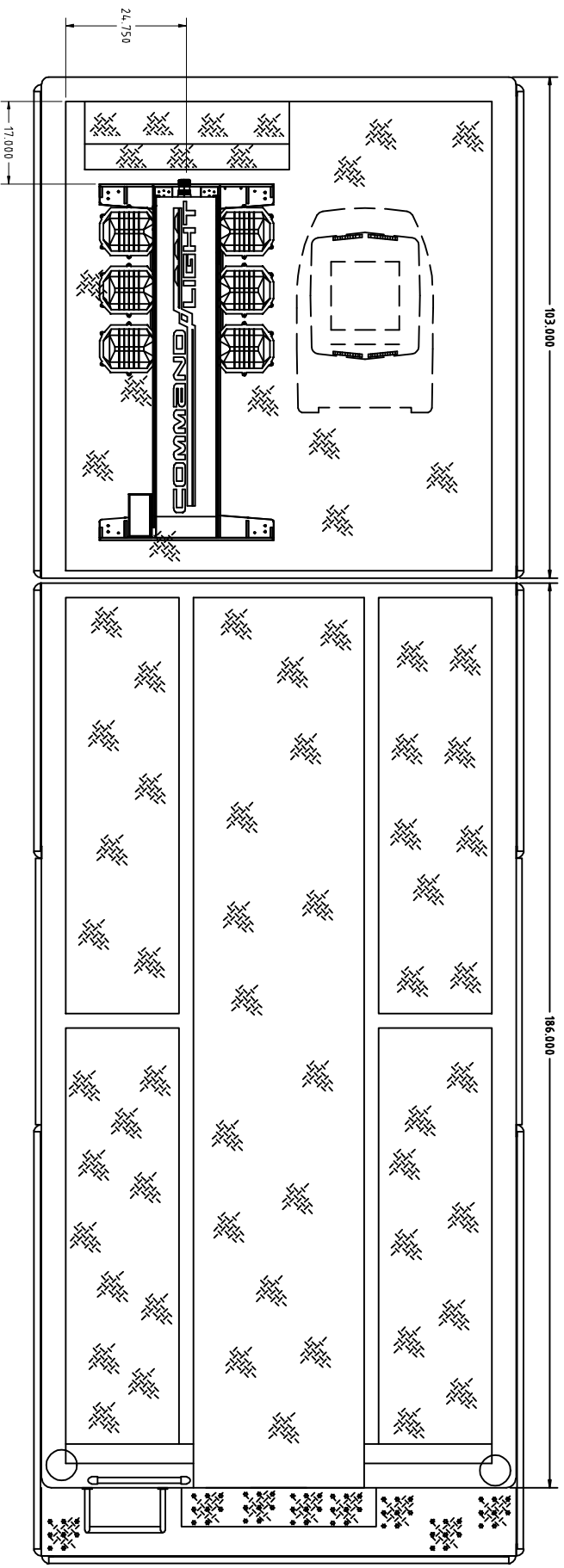


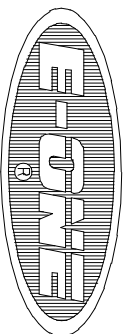
COMBINATION UNIT

ANWR-22' RESCUE BODY
 FREDIGHTLINER M2, 2 DR EXT CAB
 ALL ALUMINUM CONSTRUCTION

COMPT.	OPENING	INTERIOR DIMENSION
L1/L2	45W 14H	45W 14H 26D
R1	34W 80H	SIDE ENTRY DOOR
R2	56W 14H	56W 14H 26D
L3/R3	48W 62H	48W 52H 94D UPPER 48W 18H 26D LOWER
L4/R4	54W 32H	56W 40H TRV
L5	46W 62H	48W 70H 68D
R5	63W 62H	65W 70H 26D
B1	33W 62H	35W 70H 68D

THIS DRAWING IS FOR REFERENCE PURPOSES. ALL DIMENSIONS ARE SUBJECT TO MINOR VARIATIONS DUE TO MANUFACTURING PROCESSES.

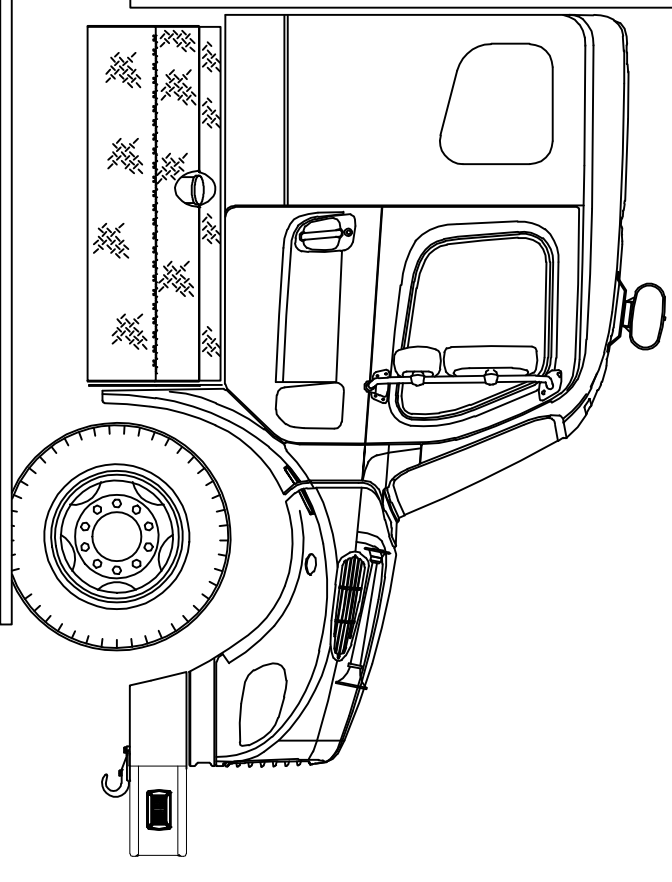
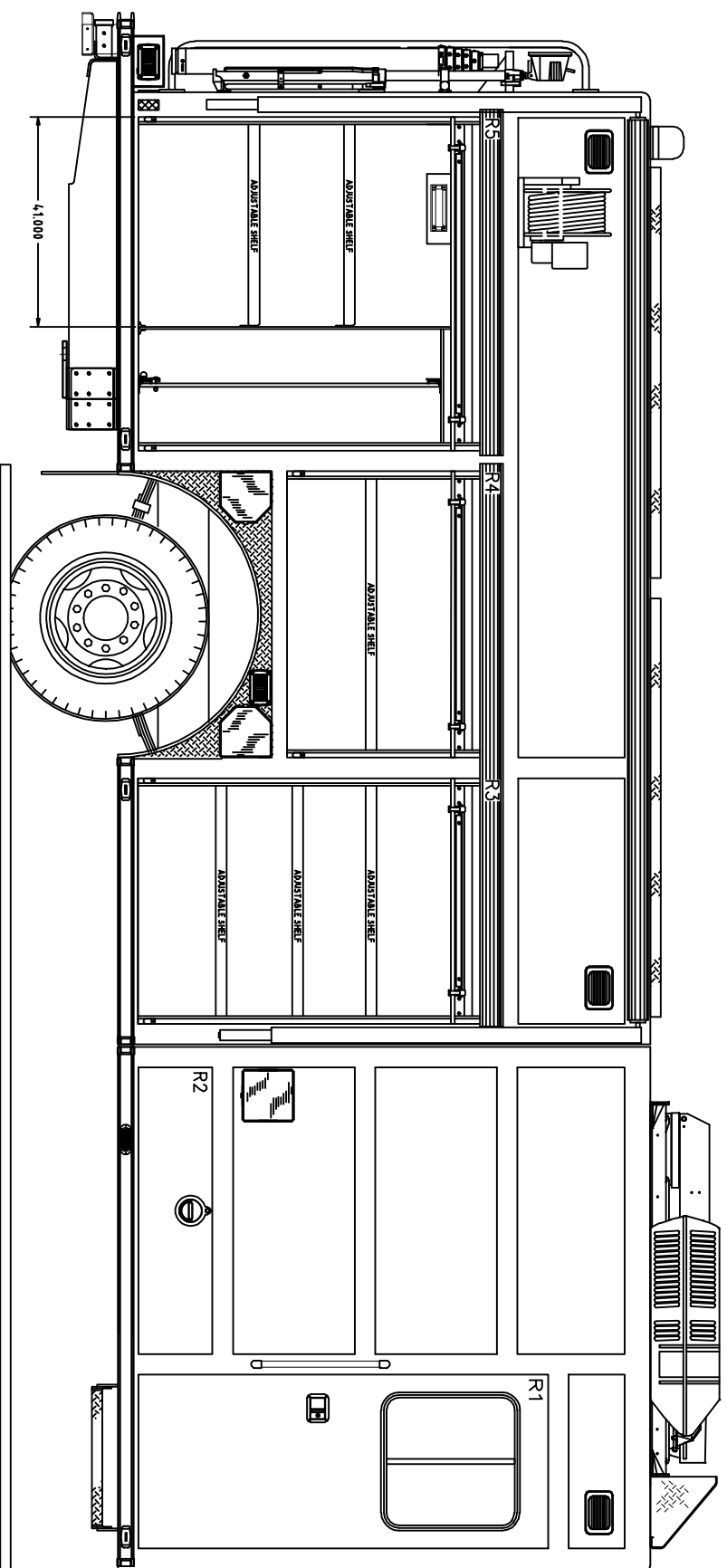
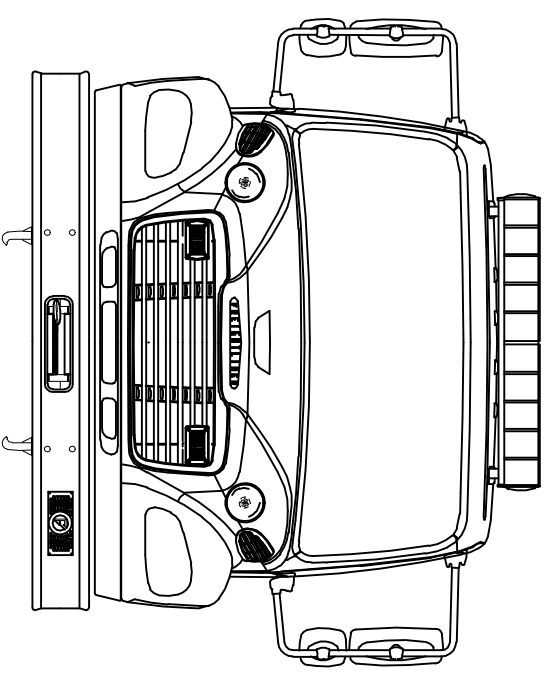
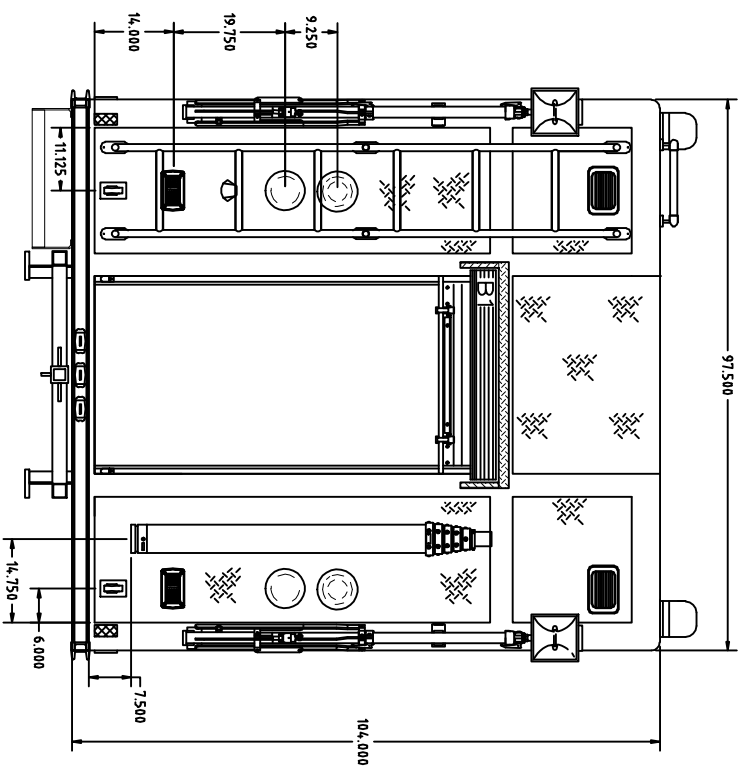


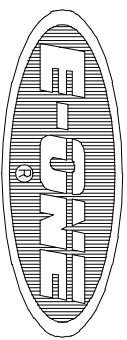


COMBINATION UNIT

ANWR-22' RESCUE BODY
FREDIGHTLINER M2, 2 DR EXT CAB
ALL ALUMINUM CONSTRUCTION

THIS DRAWING IS FOR REFERENCE PURPOSES. ALL DIMENSIONS ARE
SUBJECT TO MINOR VARIATIONS DUE TO MANUFACTURING PROCESSES.

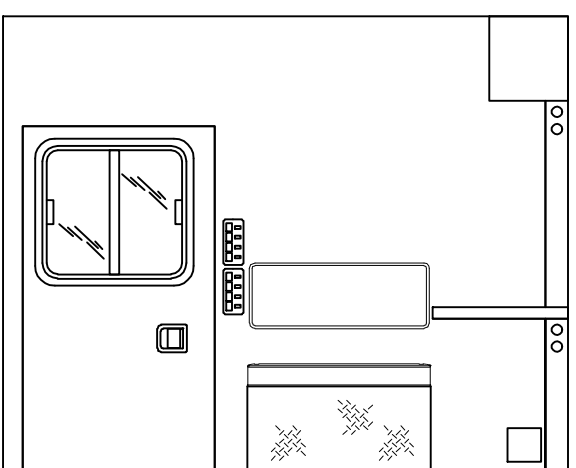




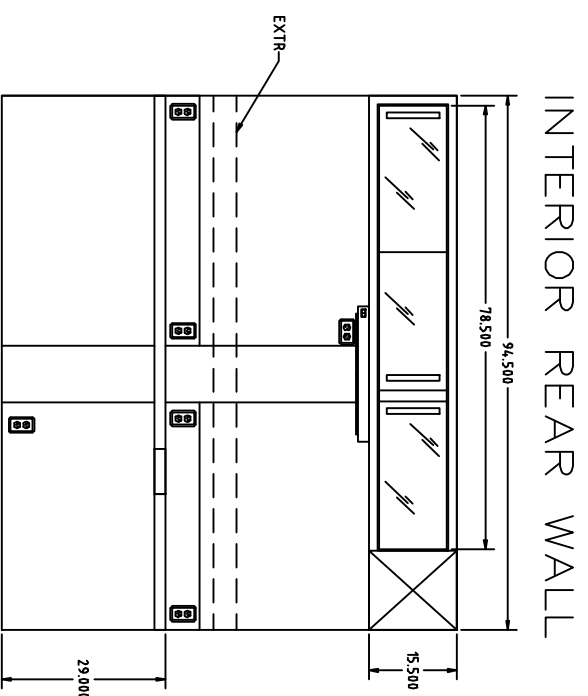
COMBINATION UNIT

ANWR-22' RESCUE BODY
FREDIGHTLINER M2, 2 DR EXT CAB
ALL ALUMINUM CONSTRUCTION

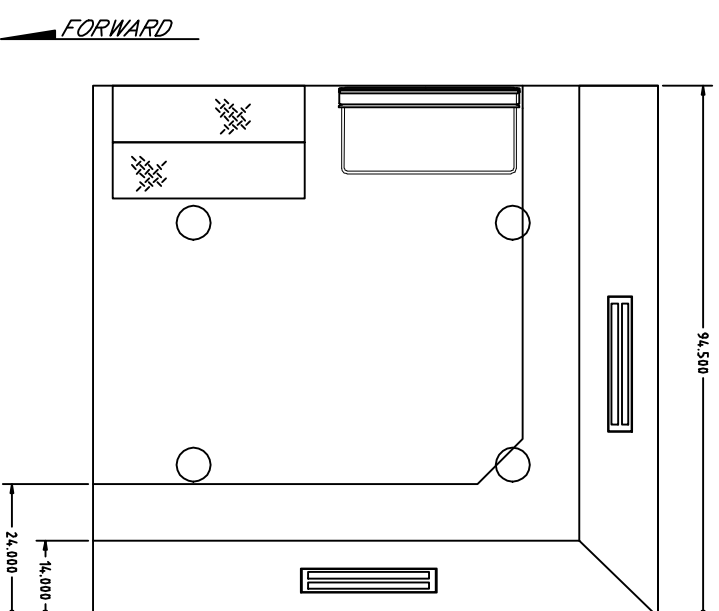
THIS DRAWING IS FOR REFERENCE PURPOSES. ALL DIMENSIONS ARE SUBJECT TO MINOR VARIATIONS DUE TO MANUFACTURING PROCESSES.



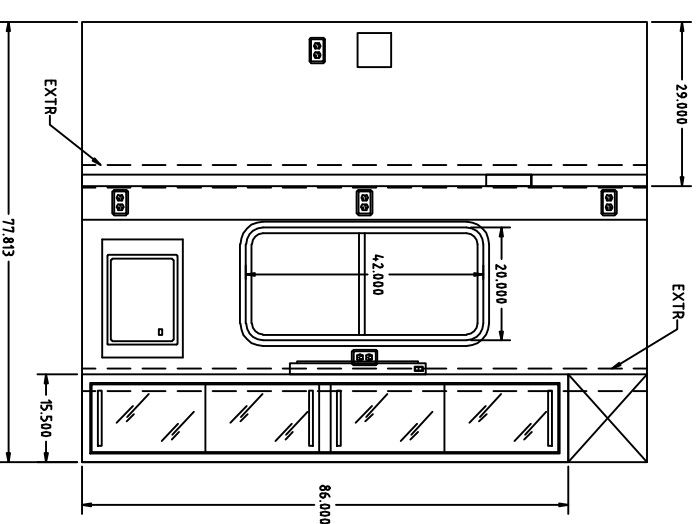
RIGHT SIDE INTERIOR



INTERIOR REAR WALL



INTERIOR TOP VIEW



LEFT SIDE INTERIOR

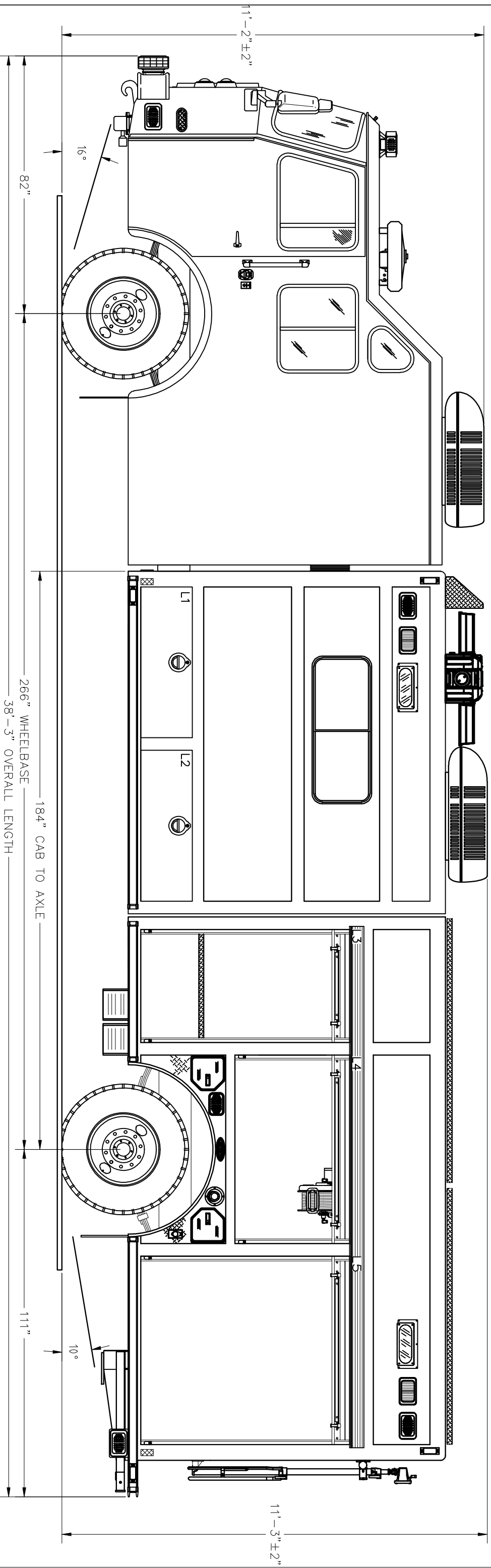
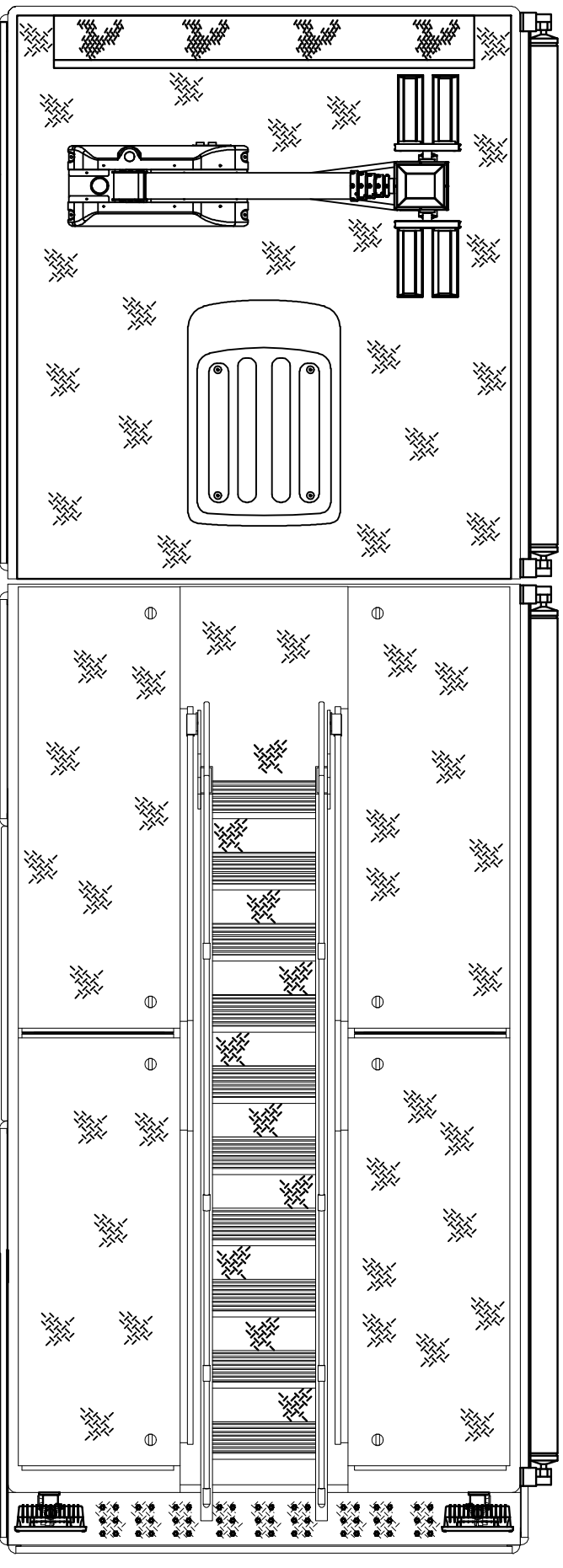


COMBINATION UNIT

COMBO24 RESCUE BODY CYCLONE II CHASSIS

COMP'T.	OPENING	INTERIOR DIMENSION	
L1/L2	48W	16H	26D
R1	61W	16H	26D
L3/R2	34W	62H	36W 50H 94D UPPER 36W 20H 26D LOWER
L4/R3	58W	31H	60W 39H 94D
L5/R4	58W	62H	60W 70H 26D
B1	34W	62H	36W 50H 64D UPPER 36W 20H 26D LOWER

This print is the property of Emergency One, Inc. and is loaned to you subject to return on demand, unless otherwise agreed to in writing by Emergency One, Inc. Its contents are confidential and must not be copied or submitted to third parties for use or examination.

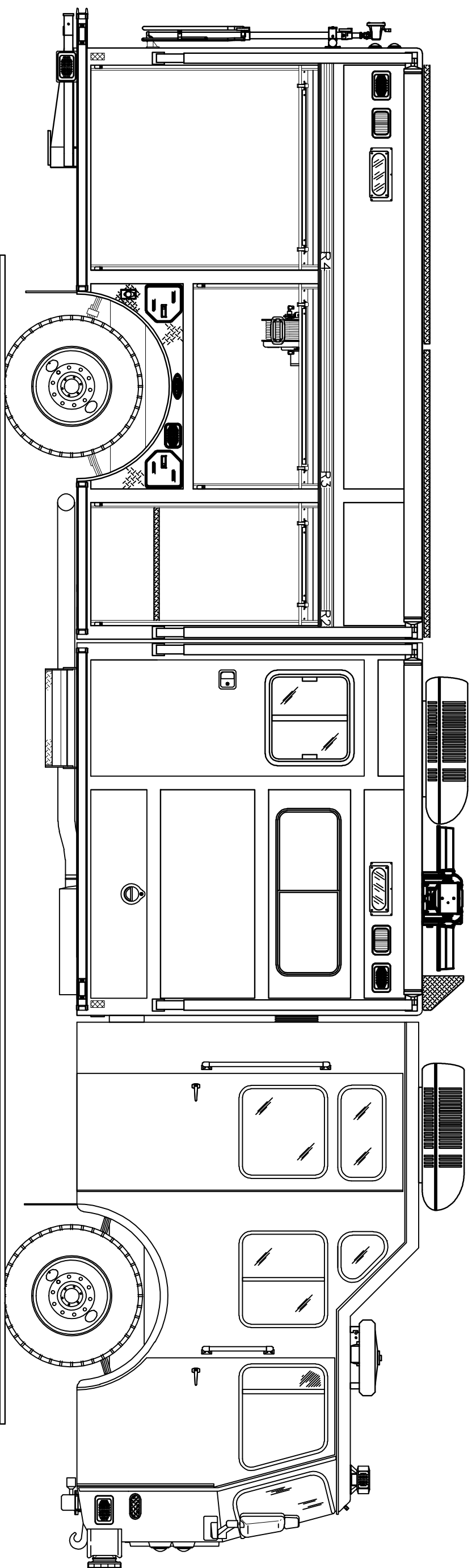
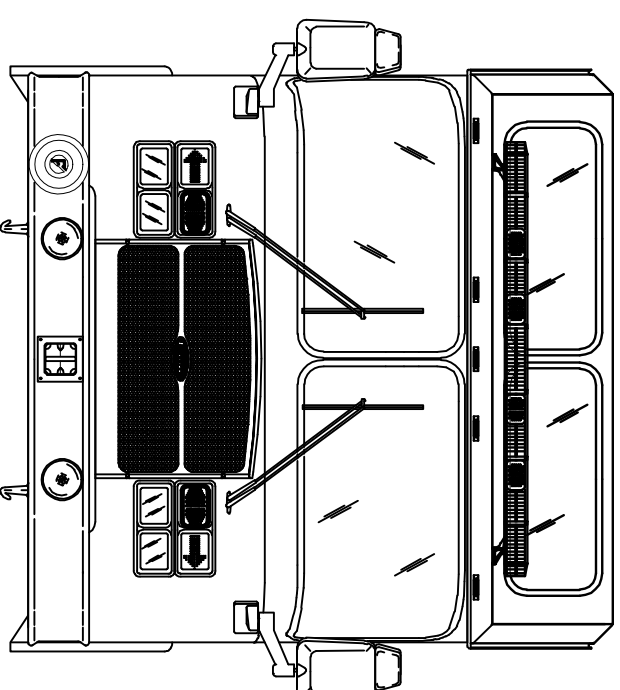
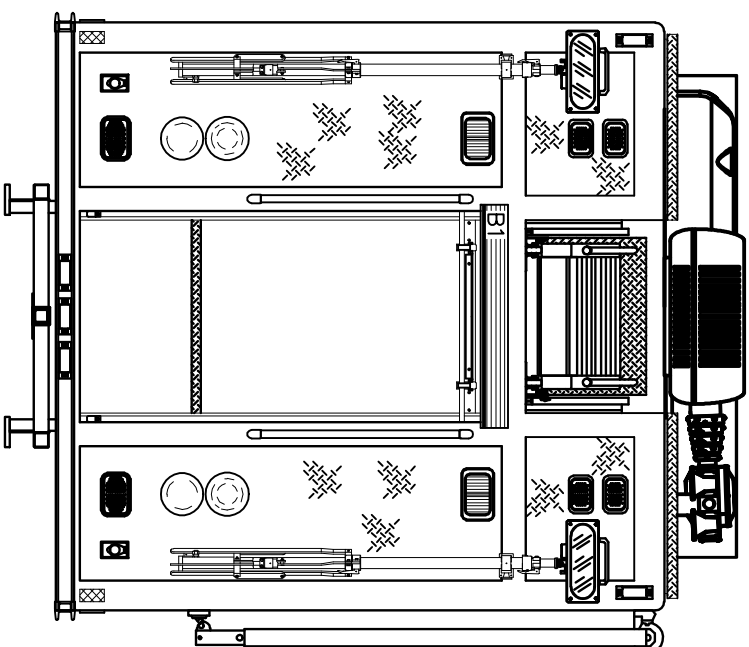




COMBINATION UNIT

COMBO24 RESCUE BODY CYCLONE II CHASSIS

This print is the property of Emergency One, Inc. and is loaned to you subject to return on demand, unless otherwise agreed to in writing by Emergency One, Inc. Its contents are confidential and must not be copied or submitted to third parties for use or examination.



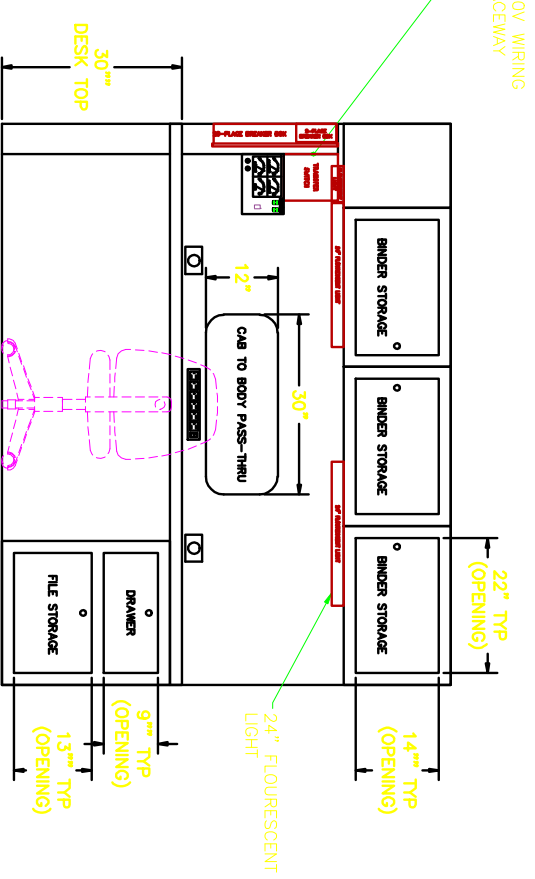
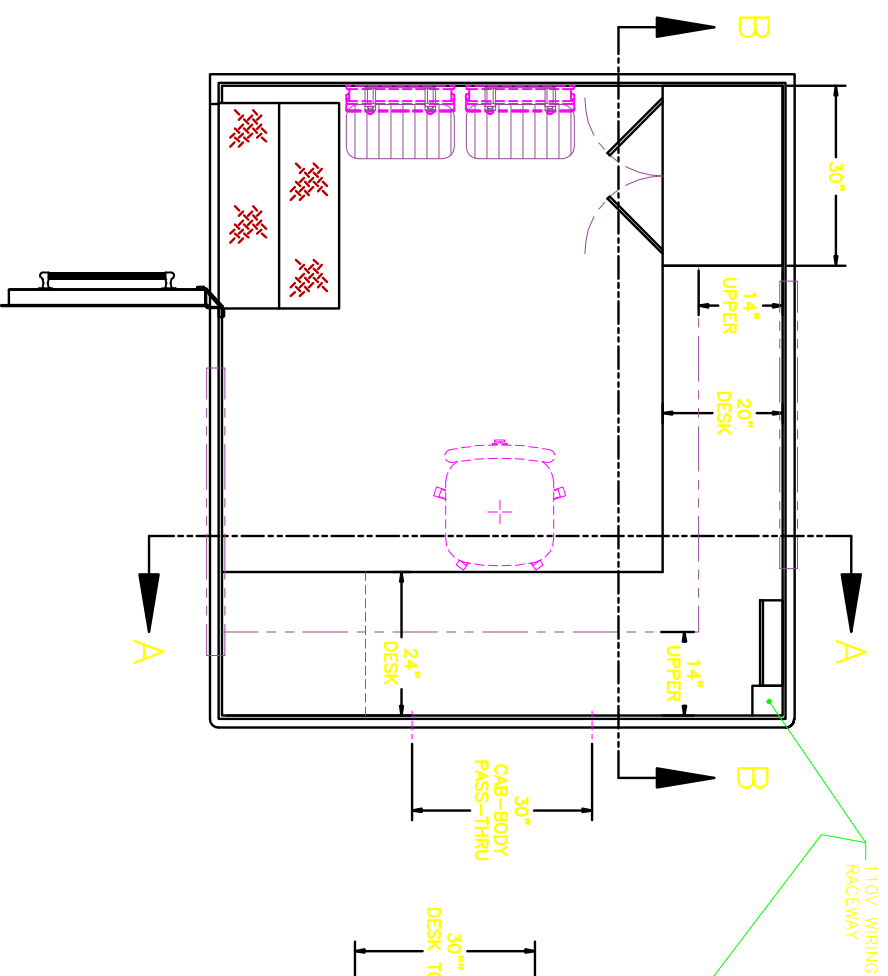


COMBINATION UNIT

COMBO24 RESCUE BODY CYCLONE II CHASSIS

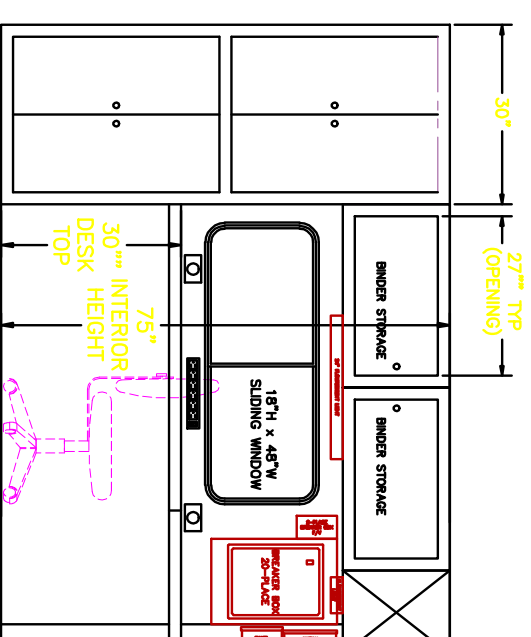
This print is the property of Emergency One, Inc. and is loaned to you subject to return on demand, unless otherwise agreed to in writing by Emergency One, Inc. Its contents are confidential and must not be copied or submitted to third parties for use or examination.

COMMAND MODULE
TOP VIEW



SECTION A-A
VIEW OF FRONT WALL

ALL DIMENSIONS ARE
APPROXIMATE



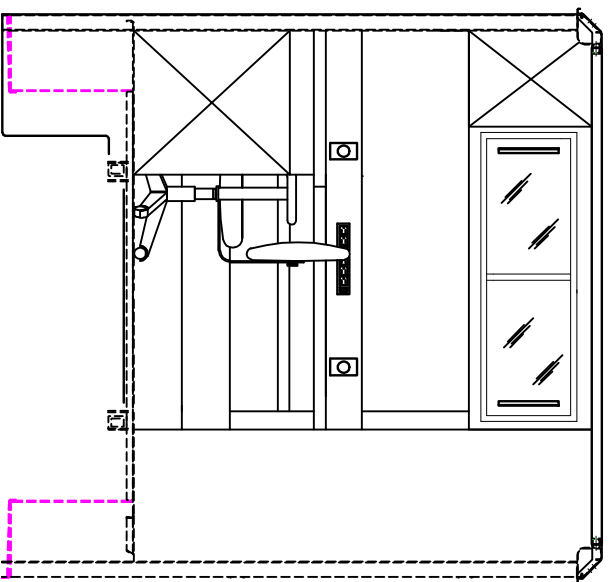
SECTION B-B
VIEW OF DRIVERS SIDE WALL



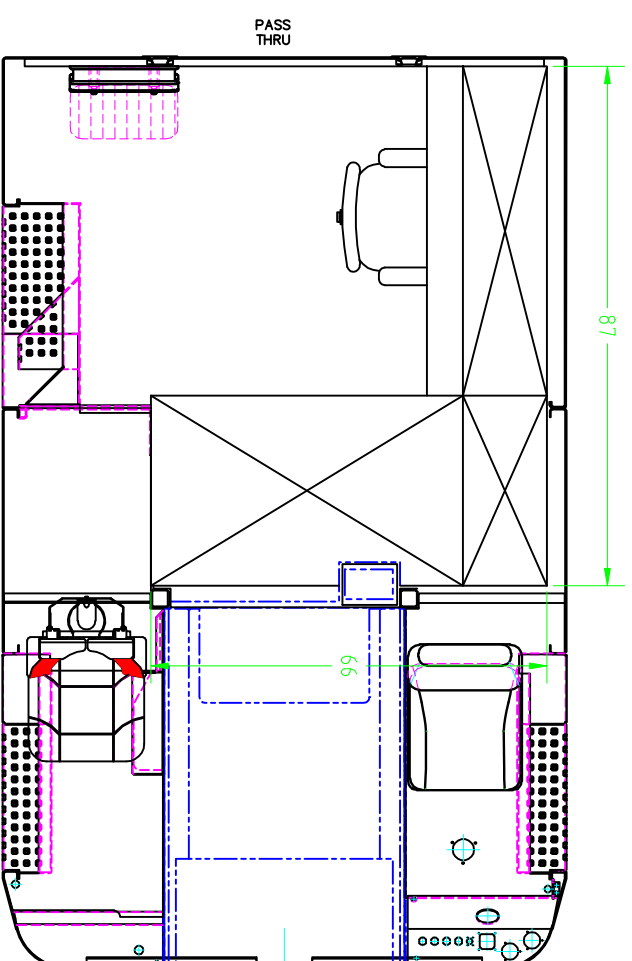
COMBINATION UNIT

COMBO24 RESCUE BODY CYCLONE II CHASSIS

This print is the property of Emergency One, Inc. and is loaned to you subject to return on demand, unless otherwise agreed to in writing by Emergency One, Inc. Its contents are confidential and must not be copied or submitted to third parties for use or examination.

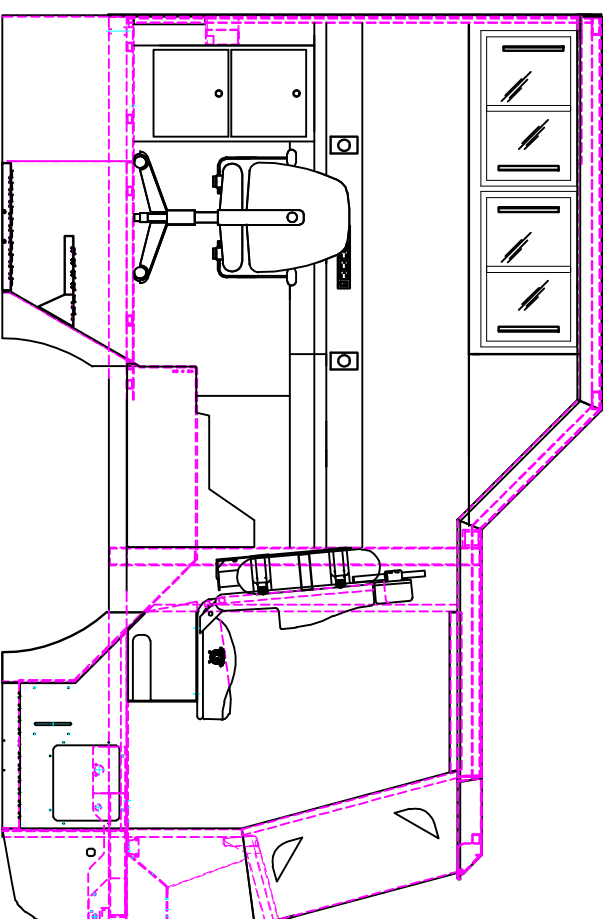


FRONT VIEW



COMMAND CAB
TOP VIEW

ALL DIMENSIONS ARE
APPROXIMATE



VIEW OF DRIVERS SIDE WALL