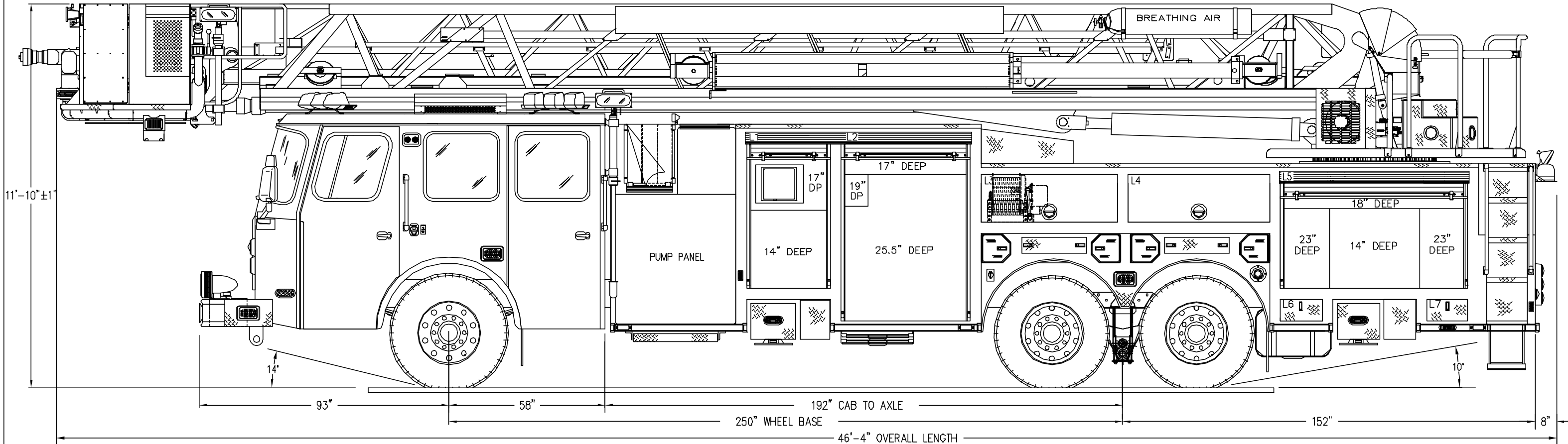
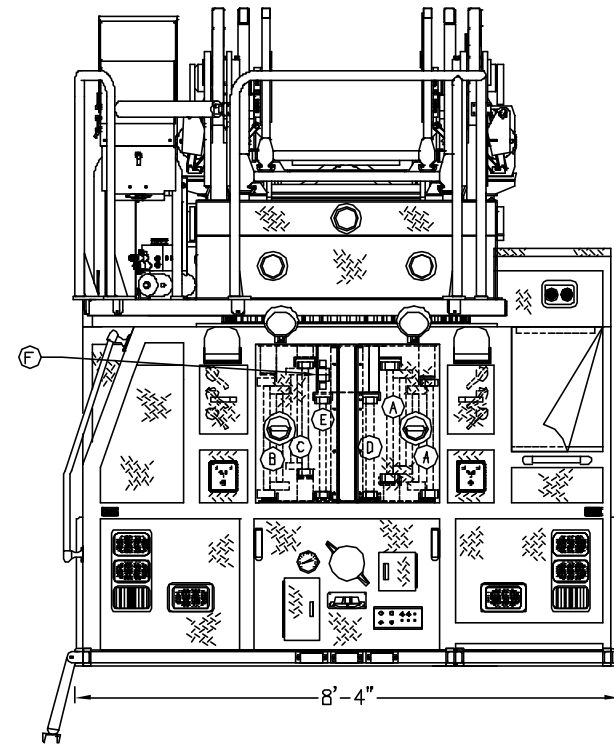


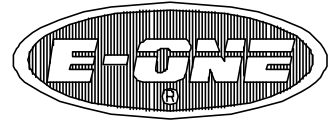
EMERGENCY ONE OCALA, FL

AERIAL SIDESTACKER BODY
CYCLONE II CHASSIS
HP 100 PLATFORM

2000 G.P.M. HALE QMAX PUMP 300 GALLON WATER TANK		HOSE LOAD: 800' OF 5.00" LDH	
COMPT.	OPENING	INTERIOR DIMENSION	
L1/R1	29W 48H	31W 28H 17D	UPPER
		31W 29H 14D	LOWER
L2/R2	46W 60H	48W 15H NOTED	UPPER
		48W 54H NOTED	LOWER
L3	50W 18H	50W 18H	26D
R3	15W 32H	15W 32H	23D
L4	52W 18H	52W 18H	20D
R4	31W 20H	31W 20H	14D
L5	18W 45H	20W 13H 18D	UPPER
		20W 41H 23D	LOWER
R5	36W 32H	36W 32H	23D
L5	67W 69H	69W 13H 18D	UPPER
		69W 29H NOTED	LOWER
L6	15W 8H	15W 8H	23D
L7	15W 8H	15W 8H	23D

GROUND LADDERS			
ITEM	LADDER LENGTH	MODEL NUMBER	QTY
A	35' 2-SECT.	PEL-35	2
B	28' 2-SECT.	PEL-28	1
C	24' 2-SECT.	PEL-24	1
D	20' ROOF	PRL-20	1
E	16' ROOF	PRL-16	1
F	10' FOLDING	FL-10	1





EMERGENCY ONE OCALA, FL

AERIAL SIDESTACKER BODY
CYCLONE II CHASSIS
HP 100 PLATFORM

